

# *Altea*<sup>400</sup>



## **ALTEA 412**

DAS Audio Group, S.L. - C/ Islas Baleares 24 - 46988  
Fuente del Jarro - Valencia - Spain - Tel. +34961340860  
Updated (DD/MM/YYYY): 08/06/2023



SOUND WITH SOUL

## KEY FEATURES

- 2-way, full range system
- 12" bass loudspeaker
- 1" compression driver
- Angled enclosure design for stage monitor use
- Built-in rigging points
- Stand mountable

## APPLICATIONS

- Concerts and corporate A/V
- Portable and live clubs
- Concert halls, theaters and auditoriums
- Houses of worship

## DESCRIPTION

The ALTEA-412 passive system has been designed for use with external amplification and an outboard DSP. This allows users to choose the powering option they prefer and benefit from the same enclosure features and top-of-the-line components as the ALTEA 400 powered versions.

The ALTEA-412 uses the renowned 12Mi loudspeaker. This professional-grade loudspeaker provide precise low frequency reproduction with excellent musicality. The high frequencies are handled by the M-32 compression driver with 1" exit to provide exceptional overall performance. A winning combination of matched components that offer ideal characteristics for music reproduction.

# ALTEA 412

---

DAS Audio Group, S.L. - C/ Islas Baleares 24 - 46988  
Fuente del Jarro - Valencia - Spain - Tel. +34961340860  
Updated (DD/MM/YYYY): 08/06/2023



SOUND WITH SOUL

## SPECIFICATIONS

### Performance

Frequency Range (-10 dB)	68 Hz - 20 kHz
Horizontal Coverage (-6 dB)	90°
Vertical Coverage	60°
Nominal Impedance	8 ohms
RMS Power Handling	300 W
Peak Power Handling	1200 W
On-axis Sensitivity 1W/1 m	96 dB SPL
Maximum Peak SPL at 1 m	127 dB
Recommended Amplifier	PA-900
Recommended Processor	DSP-226

### Connectors

Audio Input Connector	1 x speakON NL4
Audio Output Connector	1 x speakON NL4

### Enclosure

Enclosure Construction	Polypropylene
Enclosure Geometry	Trapezoidal
Rigging	M8 Rigging Points
Color	Black
Depth	350 mm (13,8 in)
Dimensions ( H x W x D )	655 x 380 x 350 mm 25,8 x 15,0 x 13,8 in

# ALTEA 412

DAS Audio Group, S.L. - C/ Islas Baleares 24 - 46988  
Fuente del Jarro - Valencia - Spain - Tel. +34961340860  
Updated (DD/MM/YYYY): 08/06/2023



SOUND WITH SOUL

Net Weight 14,5 kg ( 32,0 lb )

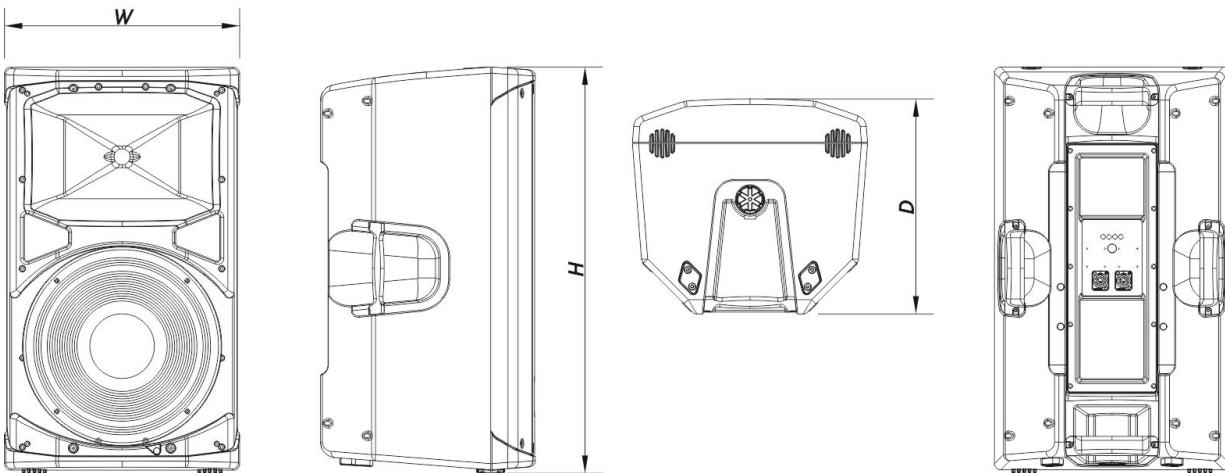
### Components

LF Driver	12MI
HF Driver	M-32

### Shipping

Carton Dimensions ( H x W x D )	750 x 450 x 415 mm 29,5 x 17,7 x 16,3 in
Shipping Weight	17,5 kg ( 38,6 lb )

### DIMENSIONS



### ORDERING INFORMATION

Model	Description	P/N
ALTEA-412	System	10404920

# ALTEA 412

DAS Audio Group, S.L. - C/ Islas Baleares 24 - 46988  
Fuente del Jarro - Valencia - Spain - Tel. +34961340860  
Updated (DD/MM/YYYY): 08/06/2023



SOUND WITH SOUL

## Replacement Parts

12MI	Cone Transducer	10214310
F-AL412	Filter	30008942
GM-12MI	Recone Kit	20208290
LAMP-F-21	Lamp	30000535
M-32	Compression Driver	20208970

## Accessories

ANL-1	Rigging Accessories	10101010
ANL-1	Installation & Stacking Acc.	10101010
AX-112-5	Installation & Stacking Acc.	10102390
AXF-X12	Installation & Stacking Acc.	10104831
FUN-AL712	Transport Accessories	10103780
TRD-6	Installation & Stacking Acc.	10104470
TRD-7	Installation & Stacking Acc.	10104471
TRPD-S2-PAK	Installation & Stacking Acc.	10104011

# ALTEA 412

DAS Audio Group, S.L. - C/ Islas Baleares 24 - 46988  
Fuente del Jarro - Valencia - Spain - Tel. +34961340860  
Updated (DD/MM/YYYY): 08/06/2023

